

ARGENTA INOX

IP66 Stainless Steel
Wall Mounting Cabinets

IP66 wall mounting cabinets Series ARGENTA INOX, are made of high quality stainless steel within two versions AISI 304L and AISI 316L. They are specially intended for food and agriculture, chemical, pharmaceutical industries, as well as external and salty environment; this series is defined by its robustness and resistance, presenting a maximum working width facilitating the assembly and installation with an excellent finished and polish.

Technical Data

- **Degree of Protection:**
 - Single door cabinet: IP66 / NEMA 1, 12, 4x.
 - Double door cabinet: IP55 / NEMA 1, 12.
- **Resistance to impact:** IK10.
- **Range of temperature under normal conditions:** -25°C / +40°C.
- **Maximum operation voltage:** 1000 V AC.
- **Maximum watertight temperature:** 80°C.

Certifications



According to low tension directive 2006/95/CE Norms: UNE-EN 62208 and UNE-EN 61439-1-3 (in the affected part).
Certificate UL508A.



Product range

Standard

- AISI 304L opaque door cabinet (with mounting plate).
- AISI 304L opaque door cabinet with ATEX compliance (See specific technical sheet).

Under consultation:

- AISI 316L opaque door cabinet.
- AISI 304L and AISI 316L cabinets without mounting plate. (Add to the standard reference /SP).

Materials

AISI 304L – AISI 316L stainless steel.

Finishing

Glossy scotch 320.

Supplying

Supplied with individual packaging that contains; cabinet, mounting plate and accessories bag.
Protected cabinet with plastic bag.

Blind mounting plate:

- For cabinets under 700 mm height it is supplied without mounting, inside the package.
- For cabinets over 800 mm height it is supplied mounted.

Accessories bag:

- 4 watertight caps (in case of not using the wall mounting premoulds).
- Earth kit consisting of: screw, washer and earth symbol label.
- Mounting plate height adjustment and screws.
- Wall mounting support (4 pcs).
- Key and mounting instructions.

IP66 AISI 304L Single Door

TYPE	DIMENSIONS [AxBxC]	DIM. PLATE [AxB]	STEEL THICKNESS BODY DOOR		Nº LOCKS	Nº HINGES	PROFILES REINFORCED	WEIGHT KG	POWER DISSIPATION ACCORDING TO TEMPERATURE INCREASE OF °C P[W]*				
									20	25	30	35	40
INX302015	300x200x150	270X150	1,2	1,2	1	2	1	3,91	15,3	20,2	25,3	30,7	36,2
INX302515	300x250x150	270X200	1,2	1,2	1	2	1	4,59	19,8	26,2	32,8	39,8	47,0
INX303015	300x300x150	270X250	1,2	1,2	1	2	2	5,38	22,2	29,3	36,8	44,6	52,6
INX403020	400x300x200	370X250	1,2	1,2	1	2	2	7,35	31,6	41,7	52,3	63,3	74,7
INX404020	400x400x200	370X350	1,2	1,2	1	2	2	9,60	37,6	49,7	62,3	75,5	89,1
INX406020	400x600x200	370X550	1,2	1,2	1	2	2	12,89	49,5	65,4	82,0	99,4	117,3
INX504020	500x400x200	470X350	1,2	1,2	2	2	2	11,35	44,2	58,3	73,2	88,6	104,7
INX604020	600x400x200	570X350	1,2	1,2	2	2	2	13,68	50,7	66,9	83,9	101,6	120,0
INX605025	600x500x250	570X450	1,2	1,5	2	2	2	17,81	54,5	85,2	106,9	129,4	152,8
INX606025	600x600x250	570X550	1,5	1,5	2	2	2	23,20	72,6	95,8	120,2	145,7	172,0
INX705025	700x500x250	670X450	1,5	1,5	2	2	2	22,44	72,3	95,5	119,8	145,1	171,3
INX806030	800x600x300	770X550	1,5	1,5	2	3	2	32,80	100,9	133,1	167,0	202,3	238,9
INX808030	800x800x300	770X750	1,5	1,5	2	3	2	39,66	126,8	167,4	210,0	254,3	300,3
INX1008030	1000x800x300	970X750	1,5	2	3P	3	2	51,35	158,7	209,5	262,8	318,4	375,9

IP55 AISI 304L Double Door

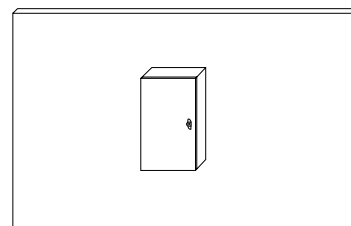
TYPE	DIMENSIONS [AxBxC]	DIM. PLATE [AxB]	STEEL THICKNESS BODY DOOR		Nº LOCKS	Nº HINGES	PROFILES REINFORCED	WEIGHT KG	POWER DISSIPATION ACCORDING TO TEMPERATURE INCREASE OF °C P[W]*				
									20	25	30	35	40
INX10010030/PD	1000x1000x300	970X950	1,5	1,5	3P	3	4	59,90	196,9	259,8	326,0	394,9	466,2
INX12010030/PD	1200x1000x300	1170X910	1,5	1,5	3P	3	4	72,20	238,3	314,6	394,7	478,1	564,4

3P: Three points locker.

Flat mounting plate included in all cabinet references.

For references without mounting plate, add to the reference /SP.

*Calculation obtained according to Norm UNE 20890; Method to determine by extrapolation of low tension derivated from serie (CDS) switchgears heating.





Case

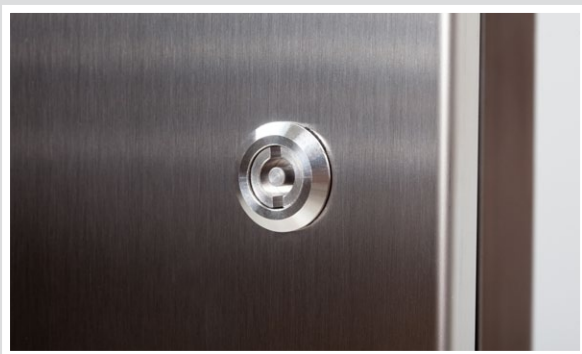
- Manufactured in AISI 304L or 316L from only one piece with cross shape.
- Totally reversible cabinet.
- Steel thickness:
 - 1,2 mm from 300x200 to 600x500 mm cabinets.
 - 1,5 mm from 600x600 to 1200x1000 mm cabinets.
- 4 premoulds of Ø9 mm to mount on wall. Wall hanging bracket that leaves a gap of 11mm supplied as an accessory.
- M8x25 Bolt (4 units) placed in the cabinet bottom for mounting fixing mounting plates or chassis.
- M6x10 Earth-bolt placed on the cabinet wall, to connect body and door through earthcable.
- Double fold to prevent water from entering the inside the cabinet.



Door

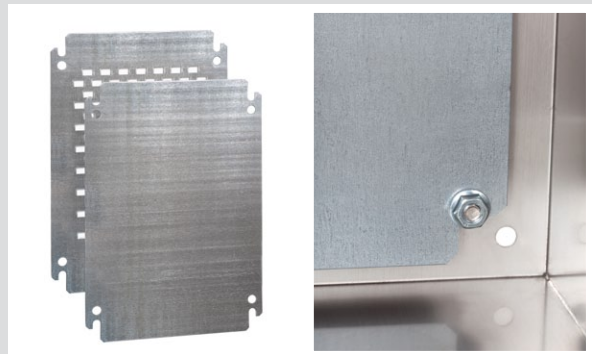
- Opaque door with 110° reversible opening.
- Double door for cabinets of and over 1000 mm width.
- Hidden and detachable hinge with quick mounting and dismantling fastener.
- Opaque door steel thickness:
 - 1,2 mm from 300x200 to 600x400 cabinets.
 - 1,5 mm from 600x500 to 1200x1000 cabinets.
 - 2 mm for 1000x800 cabinets.
- Watertight gasket to guarantee the degree of protection.
- Screwed reinforced profiles with 25 mm distance premoulded spaces for accessories assembling.
- Door centrerling included in cabinets of and over 1000mm height.

Robustness and resistance,
with an excellent finished and polish



Lock

- Galvanized steel lock with 2 closing points of 5 mm plus 5 mm key.
- For 1000 mm height, the galvanized steel lock supplied is with 3 points rod.



Mounting plate

- Flat mounting plate included in all cabinet references.
- Manufactured in 2 mm galvanized steel thickness.
- For cabinets of and over 800 mm height, the mounting plates have some lateral folds to have higher rigidity.

Maximum admissible load

	TOTAL LOAD	DOOR	PLATE
From 300x200x150 to 300x300x200 Cabinet	150 Kg	25 Kg	125 Kg
From 300x400x150 to 400x300x200 Cabinet	175 Kg	25 Kg	150 Kg
From 400x400x150 to 600x400x300 Cabinet	225 Kg	25 Kg	200 Kg
From 600x500x150 to 700x500x250 Cabinet	275 Kg	25 Kg	250 Kg
From 800x400x200 to 800x800x400 Cabinet	325 Kg	25 Kg	300 Kg
From 800x1000x300 to 1200x1000x300 Cabinet	390 Kg	40 Kg	350 Kg



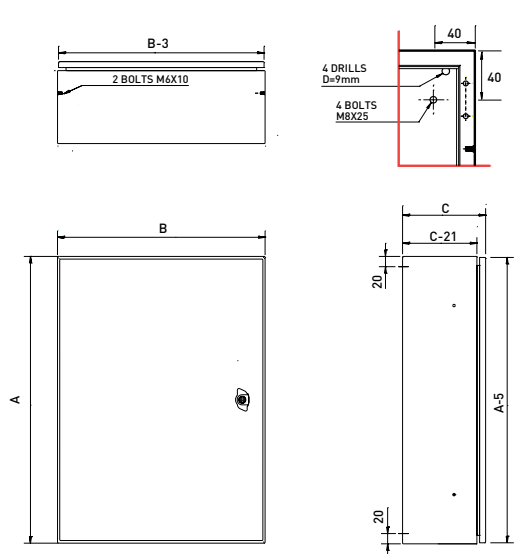
SINGLE DOOR ARGENTA INOX



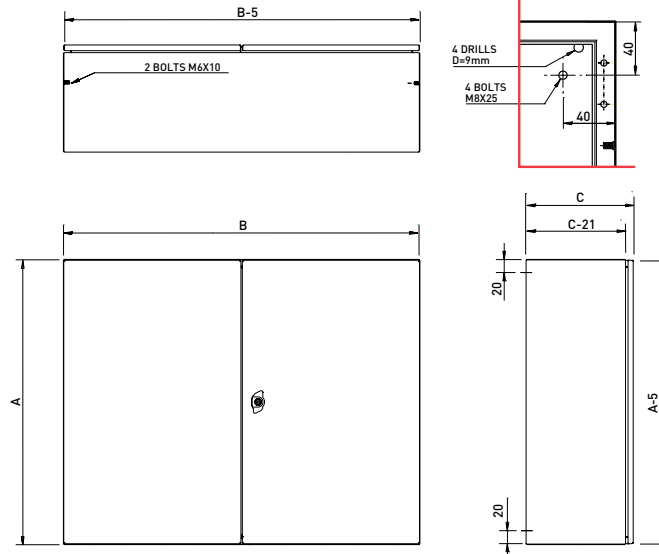
DOUBLE DOOR ARGENTA INOX

Dimensions

Single door



Double door



Plain plate

